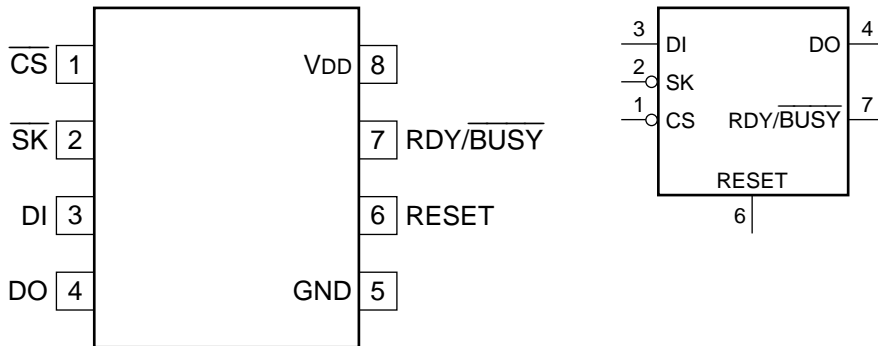


## C-MOS 8 K (512 × 16)-BIT SERIAL EEPROM

—TOP VIEW—

**INPUT**

$\overline{\text{CS}}$  : CHIP SELECT  
 DI : SERIAL DATA  
 RESET : RESET  
 $\overline{\text{SK}}$  : SERIAL DATA CLOCK

**OUTPUT**

DO : SERIAL DATA  
 $\overline{\text{RDY/BUSY}}$  : READY/BUSY

